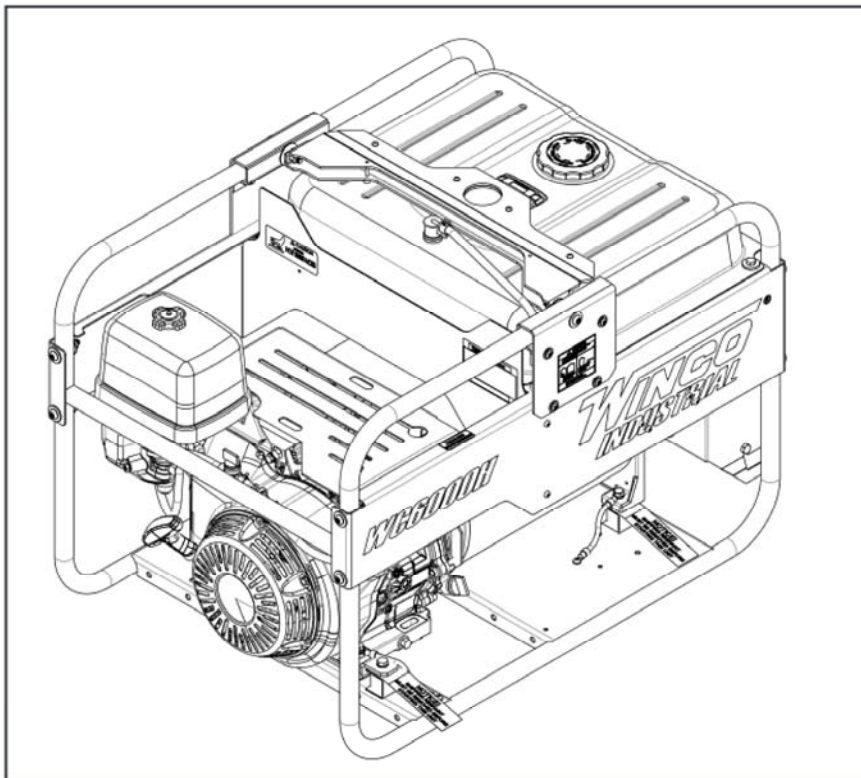


# **WINCO<sup>®</sup> INC**

---

## **INDUSTRIAL PORTABLE INSTALLATION AND OPERATORS MANUAL**

**WC5000H/D  
WC6000H/D  
WC6000HE/D**



**WINCO INC.  
225 S. CORDOVA AVE.  
LE CENTER, MN 56057  
507-357-6821  
SERVICE DEPT.  
507-357-6831  
wincogen.com**

## SAVE THESE INSTRUCTIONS

This manual contains important instructions that should be followed during installation and maintenance of the generator and battery. Read and understand all instructions in the manual before starting and operating the generator set.

## USING THE MANUAL

Congratulations on your choice of a Winco generator set. You have selected a high-quality, precision engineered generator set designed and tested to give you years of satisfactory service.

To get the best performance from your new engine generator set, it is important that you carefully read and follow the operating instructions in this manual.

Should you experience a problem please follow the "Troubleshooting Tables" near the end of this manual. The warranty listed in the manual describes what you can expect from WINCO should you need service assistance in the future.

## TABLE OF CONTENTS

INTRODUCTION	2
BASIC INFORMATION	
Specifications	2
SAFETY INFORMATION	3
UNIT CAPABILITIES	4
PREPARING THE UNIT	
Unpacking the Unit	5
Unit Preparation	5
Battery Installation	6
INITIAL START UP	8
Basic Operation	8
Manual Starting	8
Electric Starting	8
Stopping & Storage	9
Operating Speed	9
CONNECTING THE LOADS	10
Wiring	10
ENGINE CARE	11
GENERATOR CARE	12
TROUBLESHOOTING	13
CONTROL PANEL WIRING DIAGRAM	14
WARRANTY INFORMATION	15

## PROPER USE AND INSTALLATION

You must be sure your new engine generator set is:

- \* Properly serviced before starting.
- \* Operated in a well ventilated area.
- \* Properly exhausted and gases safely dispersed.
- \* Operated only for its designed purposes.
- \* Used only by operators who understand its operation.
- \* Properly maintained.

## COPY YOUR MODEL AND SERIAL NUMBER HERE

No other WINCO generator has the same serial number as yours. It is important that you record the number and other vital information here. If you should ever need to contact us on this unit it will help us to respond to your needs faster.

MODEL \_\_\_\_\_

SERIAL NUMBER \_\_\_\_\_

PURCHASE DATE \_\_\_\_\_

DEALER \_\_\_\_\_

DEALER PHONE # \_\_\_\_\_

## UNIT SPECIFICATIONS

### GENERATOR MODEL WC5000H

Surge Watts	5,000
Continuous Watts	4,500
Volts	120/240
Amps	37.5/18.75
Engine	Honda
	GX270R1VBW12
Generator	WINCO
	15041-005

### GENERATOR MODEL WC6000H/WC6000HE

Surge Watts	6,000
Continuous Watts	5,500
Volts	120/240
Amps	45.8/22.9
Engine	Honda
	Recoil start GX340RT1VDE2
	Electric start GX340RT2VWE2
Generator	WINCO
	15532-006



# SAFETY INFORMATION

This engine generator set has been designed and manufactured to allow safe, reliable performance. Poor maintenance, improper or careless use can result in potentially deadly hazards; from electrical shock, exhaust gas asphyxiation, or fire. Please read all safety instructions carefully before installation or use. Keep these instructions handy for future reference. Take special note and follow all warnings on the unit labels and in the manuals.

## ANSI SAFETY DEFINITIONS

\*\*\*\*\*

### DANGER:

*DANGER indicates an imminently hazardous situation which, if not avoided, will result in death or serious injury. This signal word is to be limited to the most extreme situations.*

\*\*\*\*\*

\*\*\*\*\*

### WARNING:

*WARNING indicates a potentially hazardous situation which, if not avoided, could result in death or serious injury.*

\*\*\*\*\*

\*\*\*\*\*

### CAUTION:

*CAUTION indicates a potentially hazardous situation which, if not avoided, may result in minor or moderate injury. It may also be used to alert against unsafe practices.*

\*\*\*\*\*

**1. ELECTRICAL SHOCK** The output voltage present in this equipment can cause fatal electric shock. This equipment must be operated by a responsible person.

- a. Do not allow anyone to operate the generator without proper instruction.
- b. Guard against electric shock.
- c. Avoid contact with live terminals or receptacles.
- d. Use extreme care if operating this unit in rain or snow.
- e. Use only three-pronged grounded receptacles and extension cords.
- f. Be sure the unit is properly grounded to an external ground rod driven into the earth.

**2. FIRE HAZARD** Gasoline and other fuels present a hazard of possible explosion and/or fire.

- a. Do not refuel when the engine is running or hot.

- b. Keep fuel containers out of reach of children.
- c. Do not smoke or use open flame near the generator set or fuel tank.
- d. Keep a fire extinguisher nearby and know its proper use. Fire extinguishers rated ABC by NFPA are appropriate.
- e. Store fuel only in an approved container, and only in a well ventilated area.
- f. Follow local codes for closeness to combustible material.

**3. DEADLY EXHAUST GAS** Exhaust fumes from any gasoline engine contain carbon monoxide, an invisible, odorless and deadly gas that must be mixed with fresh air.

- a. Operate only in well ventilated areas.
- b. Never operate indoors including attached garages
- c. Never operate the unit in such a way as to allow exhaust gases to seep back into closed rooms (i.e. through windows, walls, floors).

**4. NOISE HAZARD** Excessive noise is not only tiring, but continual exposure can lead to loss of hearing.

- a. Use hearing protection when working around this equipment for long periods of time.
- b. Keep your neighbors in mind when using this equipment.

**5. CLEANLINESS** Keep the generator and surrounding area clean.

- a. Remove all grease, ice, snow or materials that create slippery conditions around the unit.
- b. Remove any rags or other materials that could create a potential fire hazard.
- c. Carefully clean up any gas or oil spills before starting the unit.

**6. SERVICING EQUIPMENT** All service, including the installation or replacement of service parts, should be performed only by a qualified technician.

- a. Use only factory approved repair parts.
- b. Do not work on this equipment when fatigued.
- c. Never remove the protective guards, covers, or receptacle panels while the engine is running.
- d. Use extreme caution when working on electrical components. High output voltage from this equipment can cause serious injury or death.
- e. Always avoid hot mufflers, exhaust manifolds, and engine parts. They can cause severe burns instantly.
- f. The use of the engine-generator set must comply with all national, state, and local codes.



## TESTING POLICY

Before any generator is shipped from the factory, it is fully checked for performance. The generator is loaded to its full capacity, and the voltage, current and frequency are carefully checked.

Rated output of the generator is based on engineering tests of typical units, and is subject to and limited by, the temperature, altitude, fuel, and other conditions specified by the manufacturer of the applicable engines.

## INTENDED USES

This engine generator set has been designed primarily for portable heavy duty commercial use. Both 120 volt and 240 volt receptacles are provided in the control panel to plug in your loads (lights, portable tools, and small appliances).

This portable unit requires large quantities of fresh air for cooling the engine and generator. For safety, long life and adequate performance, these units should never be run in small compartments without positive fresh air flow.

## RESTRICTED USES

**DO NOT** remove from the cradle assembly. Removal of the generator from the cradle assembly may cause excessive vibration and damage to the engine-generator set.

**DO NOT** install and operate this generator in a small compartment, i.e. generator compartments of vehicles, motor homes or travel trailers. These compartments will not allow enough free flow of fresh air to reach the engine generator set for cooling and will cause the unit to overheat, damaging both the engine and generator. Small compartments will also develop hot spots where there is very little air flow and may cause a fire.

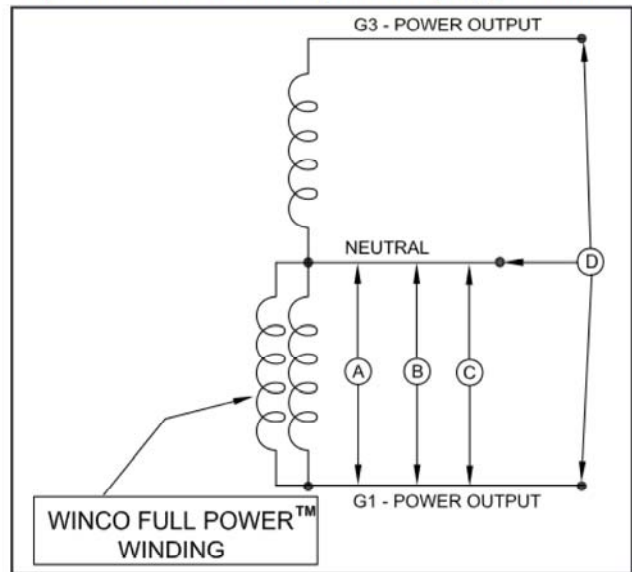
**PLEASE NOTE** There are 3rd party companies making enclosures for generators that have been properly engineered. The use of these 3rd party enclosures is acceptable as long as they have been certified and meet current code.

**DO NOT** attempt to operate at 50 cycles. These units are designed and governed to operate at 60 cycles only.

## UNIT CAPABILITIES

### GENERATOR CONNECTIONS

WC6000 - This generator is equipped with Switch-less Full Power. This feature allows the full output of the unit to be drawn from either the 120 volt receptacles or the 240 volt receptacle without reconnecting the generator. This feature is extremely helpful when powering larger 120 volt loads. The diagram below represents the 5500 watt (rated output) generator



Reference A = 120 Volt Full Power Receptacle  
NEMA 5-50 (120V-50A)

Reference B & C = 120 Volt GFCI Receptacles  
B - NEMA 5-20 GFCI (120V-20A)  
C - NEMA L5-20 (120V-20A)

Reference D = 120/240 Volt Twistlock Receptacle  
NEMA L14-30 (120/240V-30A)

With the receptacles wired in this configuration the operator can use up to the nameplate rating of unit (5500 Watts) using any combination of the 120 Volt receptacles and still have the 240 volt power available. Remember no matter what combination of 120 volt or 240 volt power utilized you can not exceed the 5500 watt rating of the unit..

WC5000 - the same principles apply to this unit as the one described above, only you are limited to 4500 watts or 37.5 amps at 120 volt and 18.75 amps at 240 volt.

### STARTING ELECTRIC MOTORS

Electric motors require much more current (amps) to start them than to run them. Some motors, particularly low cost split-phase motors, are very hard to start and require 5 to 7 times as much starting current as running current. Capacitor motors are



easier to start and usually require 2 to 4 times as much starting current as running current. Repulsion Induction motors are the easiest to start and require only 1 1/2 to 2 1/2 times as much starting as running current.

Most fractional horsepower motors take about the same amount of current to run them whether they are Repulsion Induction (RI), Capacitor (Cap), or Split-Phase (SP) type.

If the electric motor is connected to a hard starting load such as an air compressor, it will require more starting current. If it is connected to a light load, or no load such as a power saw, it will require less starting current. The exact requirement will also vary with the brand or design of the motor.

Self-exciting generators respond to severe overloading differently than utility power. When overloaded, the engine is not able to supply enough power to bring the electric motor up to operating speed. The generator responds with high initial starting current, but the engine speed drops sharply. The overload may stall the engine. If allowed to operate at very low speeds, the electric motor starting winding will burn out in a short time. The generator winding might also be damaged.

#### **CAUTION: EQUIPMENT DAMAGE**

*RUNNING THE GENERATOR SET UNDER THESE CONDITIONS MAY RESULT IN DAMAGE TO THE GENERATOR STATOR AS WELL AS THE MOTOR WINDING.*

The heavy surge of current required for starting motors is required for only an instant. The generator will not be damaged if it can bring the motor up to speed in a few seconds of time. If difficulty is experienced in starting motors, turn all other electrical loads off and if possible reduce the load on the electric motor.

## **PREPARING THE UNIT**

### **UNPACKING**

#### **CAUTION: EQUIPMENT DAMAGE**

*THIS UNIT HAS BEEN SHIPPED WITHOUT OIL. Failure to maintain the engine oil at the proper level will result in serious engine damage.*

When you unpack your new engine-generator set be sure to remove all the information sheets and manuals from the carton.

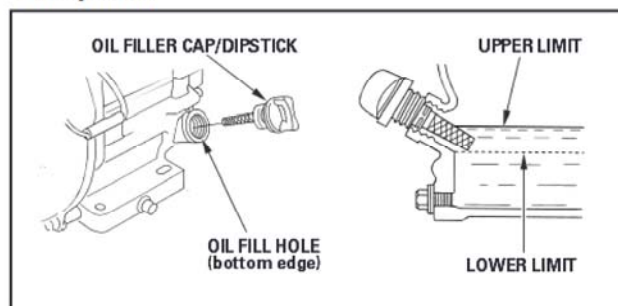
1. This generator-set was in good order when shipped. Inspect the generator-set promptly after receiving it. If any damage is noted, notify the transportation company immediately; request proper procedures for filing a "concealed damage" claim. Title to the equipment and responsibility for filing a claim rests with you when a generator-set is sent F.O.B. shipping point. Only you can legally file a claim.

2. Before proceeding with the preparations of your new generator-set for operation, take a couple of minutes to insure the unit you have received is the correct model and review the specification pages in this manual to ensure that this unit meets your job requirements.

## **LUBRICATION**

Before starting the engine, fill the crankcase to the proper level with a good quality oil. The recommended grade of oil and quantity of oil required is listed in the engine operator's manual and below in this manual. This unit was shipped with most of the oil removed. The engine normally holds 38 to 39 ounces of oil. Since there is some trapped oil in the engine, when filling the crankcase the first time use the dipstick to ensure that you do not over fill the crankcase. The blow-up shows the full oil level mark on the dipstick.

Oil is added to the engine by removing the oil fill cap and adding oil at this point. After filling the crankcase to the proper level, be sure you properly tighten the oil fill cap. NOTE: This engine generator must be on a level surface before you check or add oil to the system.



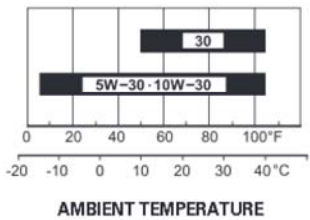
The necessity of using the correct oil, and keeping the crankcase full cannot be overemphasized. Engine failures resulting from inadequate or improper lubricant are considered abuse and not covered by the generator or engine manufacturer's warranty.

### **Oil Recommendations**

Outdoor temperatures determine the proper oil viscosity for the engines. Use the chart to select the best viscosity for the outdoor temperature range expected.



Use 4-stroke motor oil that meets or exceeds the requirements for API service classification SJ or later (or equivalent). Always check the API service label on the oil container to be sure it includes the letters SJ or later (or equivalent).



SAE 10W-30 is recommended for general use. Other viscosities shown in the chart may be used when the average temperature in your area is within the indicated range.

## GASOLINE

When using gasoline, always use fresh, clean, unleaded fuel. This engine is certified to operate on unleaded gasoline with a minimum octane rating of 86 or higher. Gasoline containing no more than 10% ethanol is acceptable.

### CAUTION: EQUIPMENT DAMAGE

*Do not use unapproved gasoline, such as E15 or E85. Do not mix oil in the gasoline. Use of unapproved fuels will damage the engine components and void the engine warranty.*

Use of fuels with content of ethanol greater than shown above may cause starting and/or performance problems. Always ensure that the fuel is clean and free of all impurities.

### WARNING: FIRE DANGER

*Gasoline and its fumes are VERY explosive when proper precautions are not taken.*

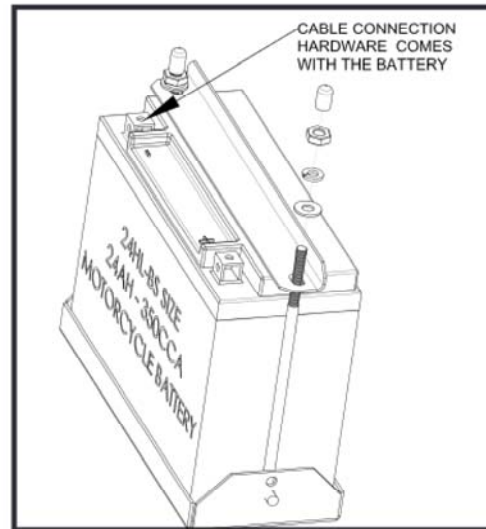
Never use gasoline that has been stored for an extended period of time as the fuel will lose its volatile properties and you will be left with varnish residue. The varnish like substance will clog the carburetor and will not burn properly.

The use of fuel additives, such as STA-BIL, or an equivalent will minimize the formation of fuel gum deposits. If a unit has been out of operation for an extended period of time, it is best to drain old fuel from the engine and replace with fresh fuel before attempting to start.

## BATTERY INSTALLATION

The WC6000HE generator set is shipped with a battery tie down kit for customer installation. This kit consists of a battery tie down and hardware for in-

stallation of the customer supplied battery on the unit. If you intend to use the power plant's electric start system, you will need to purchase and install a battery to operate it. Units equipped with a recoil or rope start will operate satisfactorily without a battery.



### WARNING: EQUIPMENT DAMAGE

*The battery positive (+) cable is shipped with a plastic protective cap. When starting manually, this protective cap must remain in place to avoid possible damage to the engine electrical system and/or generator end.*

**A 12-volt powersports (motorcycle/atv/snowmobile) battery, BCI group 20 or 24HL rated at 300 CCA or larger is recommended for this electric start engine generator set. Maximum length: 8 1/8", Maximum width: 3 9/16", Height range: 5 3/4" - 7". Amp Hours: 15AH or greater. Follow the battery manufacturers recommendations for servicing and charging prior to use. Connect the battery to the electric start system using the cables provided.**

### CAUTION: EQUIPMENT DAMAGE

*These electric start engines are NEGATIVE GROUND. Use extreme caution when connecting the battery. Connect the NEGATIVE battery terminal to GROUND.*

For your safety always connect the positive battery cable to the "bat+" terminal first. Then connect the negative battery cable to the "bat-" terminal. Make sure all connections are clean and tight. Reverse the sequence when disconnecting, disconnect the negative cable first. These engines produce enough direct current to keep a battery charged under normal operating conditions, but were not intended to be used as a battery charger.



## **WARNING: PERSONAL INJURY**

*Lead acid batteries produce explosive hydrogen gas when charging. Keep sparks, flames, and burning cigarettes away from the battery. Ventilate the area when charging or using the battery in an enclosed space. Lead acid batteries contain sulfuric acid, which causes severe burns. If acid contacts eyes, skin or clothing, flush well with water. For contact with eyes, get immediate medical attention.*

## **BATTERY CHARGING**

Units equipped with electric start have a small flywheel charger built into the engine flywheel assembly for recharging the starting battery. This flywheel charger generates a small AC current that passes through a diode assembly to produce a DC charging current of about 1 to 3 AMPS. This circuit is not designed to be used as a battery charging circuit to recharge dead batteries.

## **OPTIONAL DOLLY KIT**

An optional dolly kit is available for this generator. The dolly kit comes with instructions and parts list. After installing the dolly kit, file the instructions and parts list in the back of this manual for future reference.

## **OIL ALERT SYSTEM**

This WINCO Industrial generator is equipped with a low oil shutdown system. This engine uses a float switch mounted inside the engine. If the oil level drops below a certain point the low oil module on the engine will shut it down. This low oil warning system will automatically stop the engine before the oil level reaches a critical danger point. This feature is designed to prevent costly repairs and downtime.

## **CAUTION: EQUIPMENT DAMAGE**

*Allowing the engine to shutdown repeatedly on low oil level may cause excessive wear which can be cumulative.*

## **CONSERV-R® IDLE CONTROL**

The automatic Conserv-R® idle control is a gas saving, solid state system, designed to reduce engine speed whenever the electrical load is removed from the generator. Without a slow down control, the engine would run at full speed at all times, regardless of the electrical load.

## **CAUTION : EQUIPMENT DAMAGE**

***When using the L14-30 receptacle to power 120 volt loads the Conserv-R® control switch must be left in the OFF position. Only one leg of the 240 volt circuit is monitored for load. Hence using the individual 120 volt legs from this receptacle will cause the Conserv-R® not to function properly.***

With the automatic Conserv-R® control switch in the "ON" position, the throttle control lever is electrically released when the load is turned on so it in no way interferes with the normal governor operation. When the load is turned off, the idle magnet energizes and reduces the engine speed. It does not cause incorrect operation of the carburetor or governor.

The automatic Conserv-R® control consists of a solid state module mounted in the generator receptacle box, a switch, resistor and an electromagnet mounted on the engine near the throttle lever. The automatic Conserv-R® control is only offered as a factory installed feature. It is not available for field installation.

With the automatic Conserv-R® switch in the "ON" position, the system operates as follows:

1. After the engine has been started, and no electrical load is applied, the solid state module senses this condition and turns on the electromagnet. This will pull and hold the throttle lever, closing the throttle on the carburetor and reducing the engine speed.
2. When a load is applied to the generator, the current flow to the load is sensed by the solid state control module and the electromagnet is turned off. This releases the throttle arm, allowing the governor to take over and open the throttle. The engine will respond and come up to the governed speed (3600 rpm).
3. When the electrical load is turned off, the control module will sense that there is no longer any current flow and the automatic idle control will once again energize the electromagnet, pulling and holding the throttle. When the automatic Conserv-R® switch is in the "OFF" position, the engine will run at full governed speed regardless of the generator load.



## CAUTION: EQUIPMENT DAMAGE

When using these generators to power a home or construction trailer, the Conserv-R® switch must be left in the off position. Some appliances in homes and construction trailers have such a low current draw (less than 5 to 10 watts) they will not turn the conserver off, resulting in low voltage being supplied to them. This low voltage can do permanent damage to these appliances.

## INITIAL START UP

The throttle control on these generators is preset and locked to operate at 3600 RPM (nominal) with no load speed set at 3690 RPM. Only a trained service technician should be allowed to adjust this speed setting.

### NOTICE: ENGINE START LOCKOUT

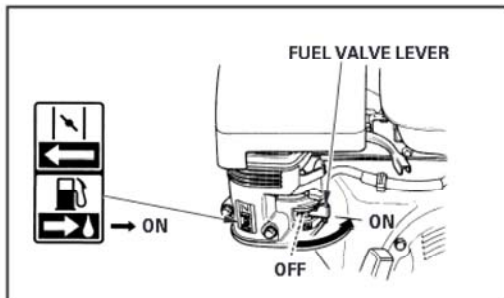
This unit **will not start** if it is low on oil. The lubricating oil level must be at the **full** mark before the engine will start and run.

## BASIC OPERATION

### MANUAL STARTING

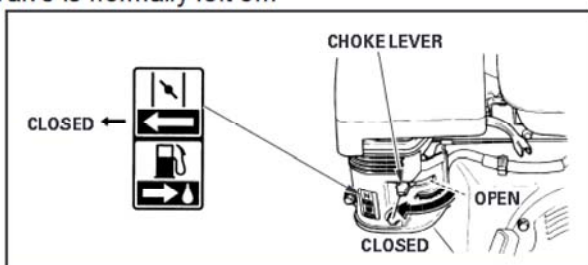
Refer to the engine manual for additional starting, operating, and stopping instructions.

1. Check oil level. Refill as needed.

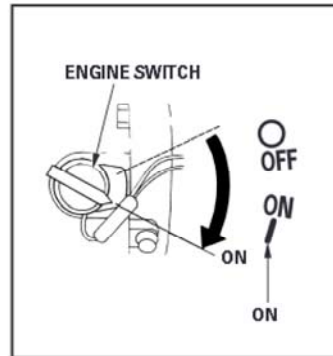


2. Turn on the fuel supply by moving the fuel lever to the "ON" position.

**NOTE** - There is a second fuel valve under the fuel tank that is used when removing the tank. This valve is normally left on.



3. Move the choke lever to the "CLOSED" position. To restart a warm engine, leave the choke lever in the "OPEN" position



4. Turn the off/on engine switch to the on position.
5. Pull the starter grip lightly until resistance is felt, then pull briskly.
6. When the engine starts, open the choke gradually.
7. The engine should promptly come up to operating speed.

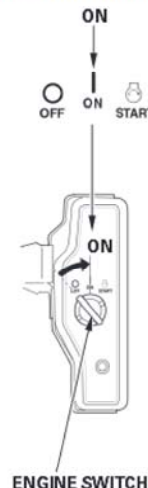
### NOTICE:

Do not allow the starter grip to snap back against the engine. Return it gently to prevent damage to the starter.

## ELECTRIC STARTING

If the engine is cold and stiff or if the battery is not fully charged, starting can be made easier by slowly hand cranking the engine through the compression stroke before pushing the starter switch. This permits the starter to gain momentum before the heavy load of the compression stroke occurs. This minimizes the drain on the battery and improves the possibility of starting under such adverse conditions. Always keep the battery charged, especially during cold weather operation.

1. Check oil level, refill as needed.





2. Turn on the fuel supply by moving the fuel lever to the "ON" position.
  3. Move the choke lever to the "CLOSED" position. To restart a warm engine, leave the choke lever in the "OPEN" position
  4. Turn the engine switch to the "on" position
  - 5.. Operating the starter. Rotate the engine switch briefly to the START position. The starter life is improved by using shorter starting cycles with time to cool off between cranking cycles. Do not operate the starter more than 5 seconds and wait at least 10 seconds before operating the starter again, Repeat cycle if necessary.
  6. When the engine starts, release the engine switch, allowing it to return to the "on" position.
  7. Gradually move choke to the open position as the engine warms up..
  6. The engine should promptly come up to operating speed.
- a. Add the fuel stabilizer to the fuel in the tank and run the unit for 2 minutes to circulate the stabilizer throughout the fuel system.
  - b. If you choose to remove the remaining fuel from the fuel tank, it must be drained into an approved container.
  - c. Start the engine and allow it to run until all the fuel in the carburetor and the fuel lines has been used up and the engine stops.

**Note:** Running the engine to use up the fuel in the lines and carburetor will still leave a small amount of fuel in the carburetor. It is best for extended storage to treat the fuel before draining.

- d. While the engine is warm, drain the oil and refill with fresh oil.
- e. Clean dirt and chaff from cylinder, cylinder head fins, blower housing, screen and muffler areas.
- f. Store in a clean and dry area.

### CAUTION: EQUIPMENT DAMAGE

*Never permit the choke to remain on after the engine has run for a short time. It is not necessary to choke the engine when it is warm. Avoid over-choking.*

### STARTING HINTS

1. **Cold weather**
  - a. Use the proper oil for the temperature expected.
  - b. Use fresh winter grade fuel. Winter grade gasoline is blended to improve starting. Do not use summer grade gasoline.
2. **Hot weather**
  - a. Use the proper oil for the temperature expected.
  - b. Use only summer blended gasoline. Using gasoline left over from winter may cause the unit to vapor lock.

### STOPPING AND STORAGE

1. Move the engine switch to the "OFF" position.
2. Turn off the fuel supply valve.
3. Before extended storage (over 30 days) certain precautions must be taken to ensure the fuel doesn't deteriorate and clog the fuel system.

**Note:** The use of a fuel additive, such a STA-BIL or equivalent will minimize the formation of gum deposits during storage. The additive may be added to gasoline in the engines fuel tank or to gasoline in a storage container.

### OPERATING SPEED

The engine-generator must be run at the correct speed in order to produce the proper electrical voltage and frequency.

### CAUTION: EQUIPMENT DAMAGE

*The output voltage should be checked to ensure the generator is working properly prior to connecting a load to the generator. Failure to do so could result in damage to equipment plugged into the unit and possible injury to the individual.*

All engines have a tendency to slow down when a load is applied. When the electrical load is connected to the generator, the engine is more heavily loaded, and as a result the speed drops slightly. This slight decrease in speed, together with the voltage drop within the generator itself, results in a slightly lower voltage when the generator is loaded to its full capacity than when running no load. The slight variation in speed also affects the frequency of the output current. This frequency variation has no appreciable effect in the operation of motors, lights and most appliances. However, electronic equipment and clocks will be affected if correct RPM is not maintained. See Load vs. Output chart.

Although individual units and models vary slightly, the normal voltage and frequency of the engine-generator described in this manual are approximately as follows, under varying loads:



LOAD VS. OUTPUT			
Generator Load	Speed (RPM)	Frequency (Hz)	Voltage
None	3690	61.5	125V
Half	3600	60.0	120V
Full	3510	58.5	115V

The speed of the engine was carefully adjusted at the factory so that the generator produces the proper voltage and frequency. For normal usage, the speed setting should not be changed. If the generator is being run continuously on a very light load, it is often advisable to lower the operating speed slightly.

#### CAUTION: EQUIPMENT DAMAGE

***SPEED ADJUSTMENTS SHOULD ONLY BE MADE BY A QUALIFIED SERVICE TECH. Whenever making any speed adjustments, check the unit with a voltmeter and a frequency meter or tachometer and be sure the voltage and speed are correct.***

Lower voltage may damage both the generator and any load connected to it. Running the engine at excessively high speeds results in high voltage, which may significantly shorten the life of appliances being used.

Output voltage should be checked periodically to ensure continued proper operation of the generating plant and appliances. If the generator is not equipped with a voltmeter, it can be checked with a portable meter.

## CONNECTING THE LOADS

Allow the engine to warm up for two or three minutes before applying any load. This will allow the engine to reach normal operating temperature and oil to circulate throughout the engine. A short warm-up time will permit the engine to work more efficiently when the load is applied and will reduce the wear in the engine, extending its life.

Receptacles have been provided to allow loads to be connected to the generator. The loads should be added one at a time. If a large motor is being started, or multiple motors are being started, they should be started individually and the largest should be started first.

#### CAUTION: EQUIPMENT OVERLOAD

*Keep the generator load within the generator and receptacle nameplate rating. Overloading may cause damage to the generator and/or the loads.*

Most electric tools and appliances will have the voltage and amperage requirements on their individual nameplates. When in doubt, consult the manufacturer or a local electrician. The nameplate amperage rating for electric motors can be misleading. See a further explanation under "Starting Electric Motors" in Unit Capabilities (page 4).

These engine-generator sets are inherently self regulating based on engine speed. The engine governor will automatically adjust itself to the load. No harm to the generator will result if it is operated with no load connected. Proper utilization of the receptacles located on the control panel is necessary to prevent damage to either the receptacles or the generator. The generator is a limited source of electrical power, therefore, pay special attention to the receptacle and generator ratings. The nameplate rating can be obtained through a single receptacle as long as the receptacle amperage rating is not exceeded.

## GROUNDING

All units must be grounded. Drive a 3/4" or 1" copper pipe or rod into the ground close to the engine-generator set. The pipe must penetrate moist earth. Connect an approved ground clamp to the pipe. Run a no. 10 Awg wire from clamp to the generator ground lug on the receptacle panel. Do not connect to a water pipe or to a ground used by a radio system. The engine-generators covered in this manual were designed primarily for portable use.

#### WARNING: PERSONAL DANGER

***DO NOT OPERATE THIS GENERATOR INDOORS. The unit should be stored in a warm dry location. During a power outage, move the unit outdoors to a flat dry location such as a driveway or sidewalk.***

## WIRING

Plug your tools such as drills, saws, blowers, sump pump and other items to be powered directly into the generator receptacles. Before plugging in all the tools and cord sets, recheck the rating of the generator set. Be sure it can handle the intended load and is compatible with the voltage, phase, and current ratings. 'Hard Wiring' this unit directly into a temporary construction site electrical system is **NOT A SIMPLE DO-IT-YOURSELF JOB**. For your safety, all wiring must be done by a qualified electrician and conform to the National Electric Code and comply with all state and local codes and regulations. Check with local authorities before proceeding.



## WARNING: PERSONAL DANGER

The 4 wire receptacle on this generator is protected by a GFCI breaker. This means that connecting the generator to a distribution panel that has a neutral to ground bond it will cause the GFCI breaker to trip. If you are going to wire this generator into a Tem Power application the neutral to ground bond must be removed.

1. These engine generator sets are designed for portable heavy duty commercial use. Receptacles are provided on the control panel to permit 120 and 240 volt portable appliances and tools to be plugged directly into them. A 4-wire receptacle (two hot, one ground, and one neutral) has been provided on the control panel for use in temporary power applications requiring 120/240 volt power. Consult a licensed electrician for wiring the Tem Power plug and connecting it as temporary service.

To connect these units directly to an un-powered, isolated construction site Tem Power panel, have your electrician connect to the control panel using a 120/240 volt, 4-wire twist-lock plug (L14-30P).

2. These generator sets are not designed to be connected existing distribution system. Because existing distribution system have a neutral to ground bond, connecting to them through the GFCI protected L14-30 plug will cause the circuit breaker to trip.

## CAUTION: EQUIPMENT DAMAGE

*When using these generators to power home loads or construction trailer, the Conserv-r® switch must be left in the off position. Some appliances have such a low current draw (less than 5 to 10 watts) they will not turn the conserver off, resulting in low voltage being supplied to them. This low voltage can do permanent damage to these appliances.*

## CAUTION: EQUIPMENT DAMAGE

*Failure to properly limit and balance the load applied to the generator will cause the generator to produce low voltage and may damage the engine generator set. It may also cause severe damage to the loads connected to the generator at that time. Improper loading of the generator set constitutes abuse and will not be covered by warranty.*

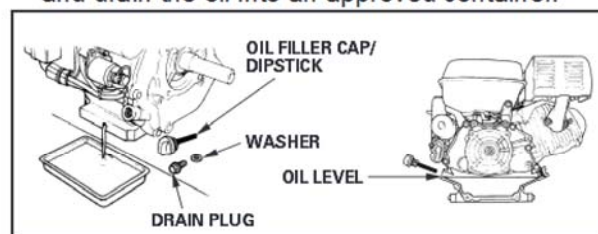
## ENGINE CARE

If major engine service or repair is required, contact an authorized engine service center. The manufacturer of these engines has established an excellent world-wide engine service organization. Engine service is very likely available from a nearby authorized dealer or distributor. Check the yellow pages of your local telephone directory under "Engines-Gasoline" for the closest engine repair center or ask the dealer from whom you purchased the power plant.

REGULAR SERVICE PERIOD (3) Perform at every indicated month or operating hour interval, whichever comes first.		Each Use	First Month or 20 Hrs	Every 3 Months or 50 Hrs	Every 6 Months or 100 Hrs	Every Year or 300 Hrs	Refer to Page
Engine oil	Check level	○					9
	Change		○		○		9
Reduction case oil (applicable types)	Check level	○					9
	Change		○		○		10
Air filter	Check	○					10
	Clean			○ (1)	○*(1)		10 – 11
	Replace					○**	
Sediment cup	Clean				○		12
Spark plug	Check-adjust				○		12
	Replace					○	
Spark arrester (applicable types)	Clean				○		13
Idle speed	Check-adjust					○ (2)	13
Valve clearance	Check-adjust					○ (2)	Shop manual
Combustion chamber	Clean		After every 500 Hrs. (2)				Shop manual
Fuel tank & filter	Clean				○ (2)		Shop manual
Fuel tube	Check		Every 2 years (Replace if necessary) (2)				Shop manual

1. **Change the oil** after the first 20 hours of operation and yearly or 100 hours thereafter under normal operating conditions. Change engine oil every 50 hours of operation if the engine is operated under heavy load, or in high ambient temperatures.

- Start the engine and warm it up, stop the engine and remove the spark plug wire to prevent it from accidentally being started.
- Remove oil drain bolt at base of the engine and drain the oil into an approved container.



- Replace oil drain bolt making sure the sealing washer is in place..
- With the engine in a level position, fill with new oil. Refer to the table on page 5 for the proper grade of oil.



NOTE: This engine requires 1.2 qts of oil if it is completely drained. Use caution when refilling the engine as some residual oil may have remained in the engine. Always use the dipstick when filling the engine with oil to prevent overfilling.

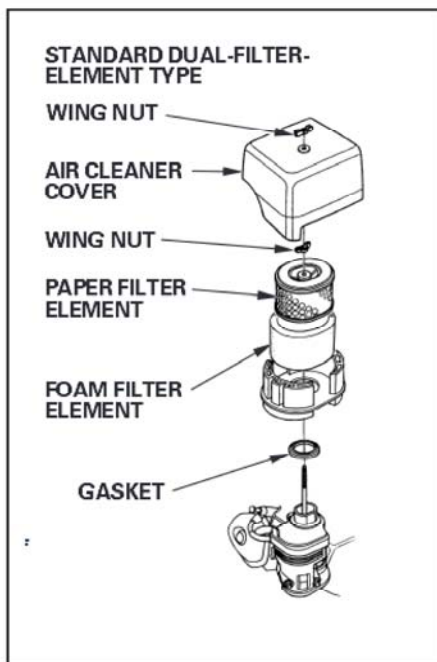
- e. Replace filler plug.
- f. Start the engine and warm it up.
- h. After warming up the engine, recheck the oil level and refill as necessary to bring it to the proper level.

2. **Checking the Oil Level:** The oil level must always be checked before the engine is started. Take care to remove any dirt or debris from around the oil fill plug before removing. Be sure the oil level is maintained. Fill to the "FULL" mark on the dipstick.

3. **Dual Element Air Filter:** Clean and/or replace foam pre-cleaner and air filter annually or every 100 hours. Service more often under dusty conditions.

**WARNING: EQUIPMENT DAMAGE**

*Never start or run the engine with the air filter removed*



- a. Remove the wing nut from the air cleaner cover and remove cover.
- b. Remove the wing nut from the air filter, and remove the filter.
- d. Remove the foam filter element from the paper filter element.
- e. Inspect both filter elements, and replace them if they are damaged. Always replace the paper filter element at the scheduled interval. See page 11.

- f. To loosen debris, gently tap the air filter on a hard surface. If the air filter is excessively dirty replace with a new filter. You can use pressurized air (not to exceed 30 psi.) to clean the filter. Always blow the compressed air from inside to the outside.
- g. Wash the foam filter element in liquid detergent and water. Then allow it to thoroughly air dry. Dip the foam filter element in clean engine oil and squeeze out all the excess oil. The engine will smoke when started if too much oil is left in the foam.
- h. Clean the dirt from the inside of the air cleaner body and cover. Be careful to prevent dirt from entering the air duct that leads to the carburetor. Reinstall the air filter in housing making sure the gasket is in place beneath the filter element. Tighten the wing nut securely.
- l. Install and secure the cover.

4. **Spark Plug:** Replace annually or every 300 hours of operation. Always replace with the same spark plug that came in the engine and check gap before installing. Spark plug gap is 0.030". Poor spark will also occur if spark plug wire does not fit firmly on spark plug. If this happens, reform the terminal to fit firmly on spark plug tip.

5. **Carbon Canister:** Designed to collect, store, and dispose of fuel vapors created in the fuel tank/fuel system. The canister should last the life of the unit as long as it stays dry.

## GENERATOR CARE

Proper care and maintenance of the generator is necessary to ensure a long, trouble-free life.

1. **Exercising The Generator** - The generator should be operated every three to four weeks. It should be operated for a period of time sufficient to warm the unit up and to dry out any moisture that has accumulated in the windings. If left, this moisture can cause corrosion in the winding. Frequent operation of the engine generator set will also ensure that the set is operating properly should it be needed in an emergency.

2. **Generator Maintenance** - Any major generator service, including the installation or replacement of parts, should be performed only by a qualified electrical service technician. **USE ONLY FACTORY APPROVED REPAIR PARTS.**

- a. **Bearing** - The bearing used in these generators is a heavy duty double sealed ball bearing. They require no maintenance or lubrication.



- b. Receptacles - Quality receptacles have been utilized. If a receptacle should become cracked or otherwise damaged, replace it. Using damaged or cracked receptacles can be both dangerous to the operator and destructive to the equipment.

## CLEANING

Remove dirt and debris with a cloth or brush. DO NOT use high pressure spray to clean either the engine or the generator. This high pressure spray could contaminate the fuel system and the generator components.

1. Keep the air inlet screen on both the engine and generator free of any dirt or debris to insure proper cooling. At least yearly, remove the blower housing on the engine and clean the chaff and dirt out of the engine cooling fins and flywheel. Clean more often if necessary. Failure to keep these areas clean may cause overheating and permanent damage to the unit.

2. Periodically clean the muffler area to remove all grass, dirt and combustible debris to prevent a fire.

3. On engine mufflers equipped with spark arresters, the spark arrester must be removed every 50 hours for cleaning and inspection. Replace if damaged

## TROUBLESHOOTING

### PROBLEM (SYMPTOMS) POSSIBLE

#### CAUSES

Won't Start	<ul style="list-style-type: none"> <li>*Low Oil Level.</li> <li>*Fouled spark plug.</li> <li>*Out of fuel.</li> <li>*Start switch in Off position.</li> <li>*Fuel valve tum off.</li> <li>*Plugged fuel filter.</li> <li>*Blown fuse in key switch</li> </ul>
-------------	---

Voltage too low	<ul style="list-style-type: none"> <li>*Engine speed is too low.</li> <li>*Generator overloaded.</li> <li>*Defective stator.</li> <li>*Defective rotor (field).</li> <li>*Defective Capacitor.</li> </ul>
-----------------	---

Circuit Breaker Trips	<ul style="list-style-type: none"> <li>*Defective load.</li> <li>*Defective receptacle.</li> <li>*Excessive Load.</li> </ul>
-----------------------	--

Voltage too high	*Engine speed is too high.
Generator overheating	<ul style="list-style-type: none"> <li>*Overloaded.</li> <li>*Insufficient ventilation.</li> </ul>
No output voltage	<ul style="list-style-type: none"> <li>*Short in load (disconnect).</li> <li>*Tripped or defective circuit breaker.</li> <li>*Broken or loose wire.</li> <li>*Defective receptacle.</li> <li>*No residual magnetism (in generator).</li> <li>*Defective stator.</li> <li>*Defective rotor (field).</li> <li>*Shorted capacitor.</li> <li>*Shorted diodes on rotor.</li> <li>*GFCI Receptacle tripped.</li> </ul>

## SPECIFICATIONS

### WC5000H/D

Generator manufacturer	WINCO Inc
Part number	15041-005
Rotor resistance	1.00 Ohms
Stator resistance G1-N.	0.18 Ohms
Stator resistance G3-N	0.35 Ohms
Cap winding resistance	0.54 Ohms
Capacitors	40.0 mF
Capacitor part number	15051-000

Engine manufacturer	HONDA
Engine model number	GX270R
Type	R1VW12
Spark plugs	BPR6ES (NGK)
Air filter	17211-ZE2-000
Spark plug gap	0.030 in
Oil capacity	1.2 qts.

## SPECIFICATIONS

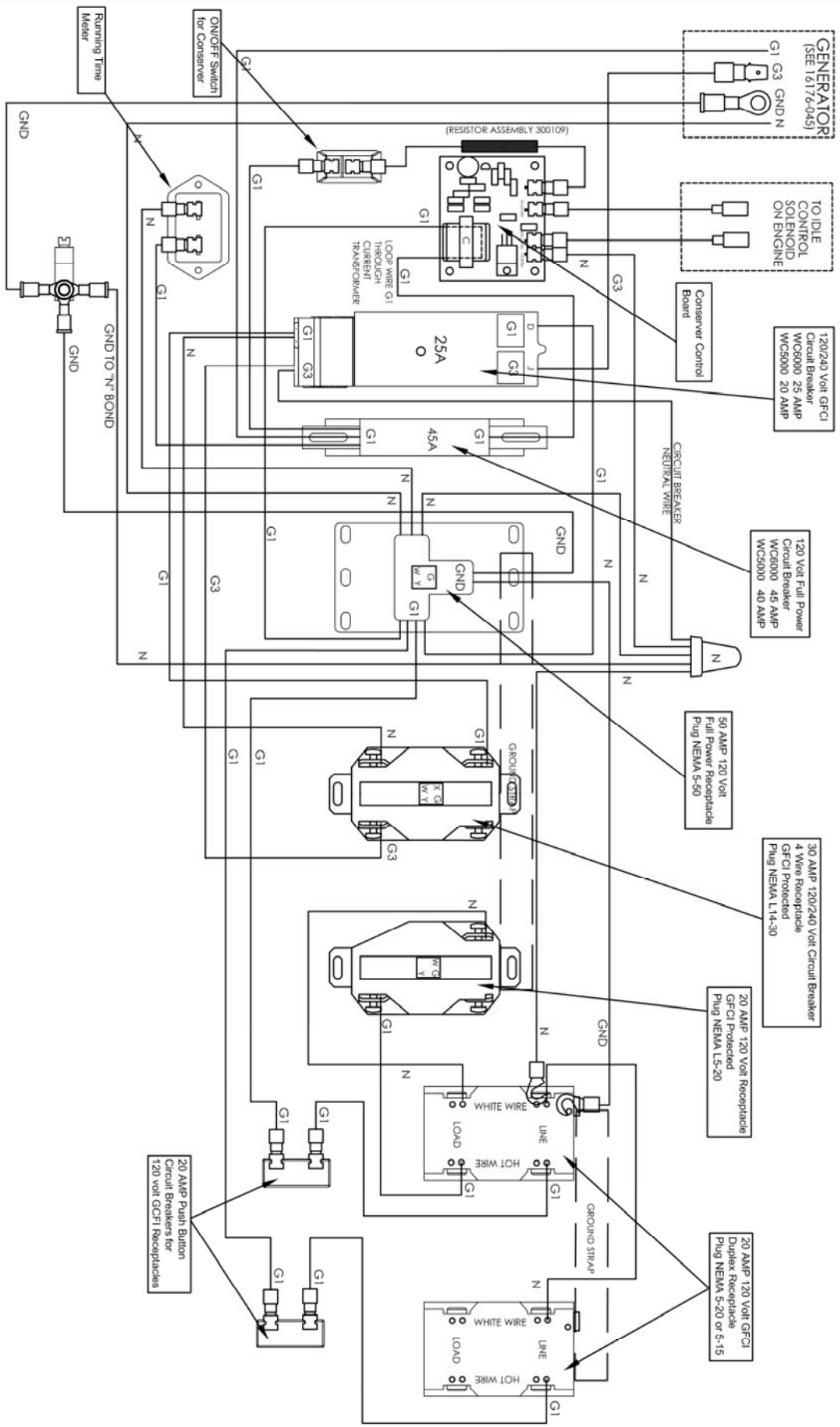
### WC6000H/D & WC6000HE/D

Generator manufacturer	WINCO Inc
Part number	15532-006
Rotor resistance	11.5 Ohms
Stator resistance G1-N	0.10 Ohms
Stator resistance G3-N	0.18 Ohms
Cap winding resistance	0.80 Ohms
Capacitors	40.0 mF
Capacitor part number	15051-000

Engine manufacturer	HONDA
Engine model number	GX340
Type	RECOIL ELECTRIC
Spark plugs	BPR6ES (NGK)
Air filter	17211-899-000
Spark plug gap	0.030 in
Oil capacity	1.2 qts.



# CONTROL PANEL WIRING DIAGRAM







## 24 MONTH LIMITED WARRANTY

**WINCO, Inc.** warrants to the original purchaser for 24 months that goods manufactured or supplied by it will be free from defects in workmanship and material, provided such goods are installed, operated and maintained in accordance with **WINCO's** written instructions.

**WINCO, Inc.** warrants to the ultimate purchaser and each subsequent purchaser that the evaporative emission control system is designed, built, and equipped so as to conform at the time of original sale to the then current evaporative emission requirements. In addition it is free from defects in materials and workmanship that may keep it from meeting these requirements. This evaporative emission control system is warranted for two years. If an evaporative emission related part on your equipment is defective, the part will be repaired or replaced by **WINCO Inc.**

**WINCO's** sole liability, and Purchaser's sole remedy for a failure under this warranty, shall be limited to the repair of the product. At **WINCO's** option, material found to be defective in material or workmanship under normal use and service will be repaired or replaced. For warranty service, return the product within 24 months from the date of purchase, transportation charges prepaid, to your nearest **WINCO** Authorized Service Center or to **WINCO Inc.** at Le Center, Minnesota.

### **THERE IS NO OTHER EXPRESS WARRANTY.**

To the extent permitted by law, any and all warranties, including those of merchantability and fitness for a particular purpose, are limited to 24 months from date of purchase. In no event is **WINCO** liable for incidental or consequential damages.

Note: Some states do not allow limitation on the duration of implied warranty and some states do not allow the exclusion or limitation of incidental or consequential damages, so the above limitations may not apply in every instance. This warranty gives you specific legal rights which may vary from state to state.

**WINCO** reserves the right to change or improve its products without incurring any obligations to make such changes or improvements on products purchased previously.

### **EXCLUSIONS:**

**WINCO** does not warrant Engines. Engines are covered exclusively by the warranties of their respective manufacturers.

**WINCO** does not warrant Batteries, or Other Component Parts that are warranted by their respective manufacturers.

**WINCO** does not warrant modifications or alterations which were not made by **WINCO Inc.**

**WINCO** does not warrant products which have been subjected to misuse and/or negligence or have been involved in an accident.

This warranty does not include travel time, mileage or labor for removal or reinstallation of a **WINCO** product from its application.

### **CALIFORNIA EVAPORATIVE EMISSION CONTROL**



## **WARRANTY STATEMENT YOUR WARRANTY RIGHTS AND OBLIGATIONS**

The California Air Resources Board is pleased to explain the evaporative emission control system's warranty on your model 2013 or later generator. In California, new equipment that uses small off-road engines must be designed, built, and equipped to meet the State's stringent anti-smog standards. WINCO must warrant the evaporative emission control system on your generator for the period listed below provided there has been no abuse, neglect or improper maintenance of your equipment.

Your evaporative emission control system may include parts such as: carburetor, fuel tanks, fuel lines, fuel caps, valves, canisters, filters, vapor hoses, clamps, connectors and other associated components.

### **MANUFACTURER'S WARRANTY COVERAGE**

The evaporative emission control system is warranted for two years. If any evaporative emission related parts on your equipment are defective, the parts will be repaired or replaced by WINCO.

### **OWNER'S WARRANTY RESPONSIBILITIES:**

As the generator owner, you are responsible for performance of the required maintenance listed in your owner's manuals. WINCO recommends that you retain all receipts covering maintenance on your generator, but WINCO cannot deny warranty solely for lack of receipts.

As the generator owner, you should be aware that WINCO may deny you warranty coverage if your generator or a part has failed due to abuse, neglect, or improper maintenance or unapproved modifications.

You are responsible for presenting your generator to a WINCO service center as soon as the problem exists. The warranty repairs should be completed in a reasonable amount of time, not to exceed 30 days. If you have a question regarding your warranty coverage, you should contact WINCO at 507-357-6831.